

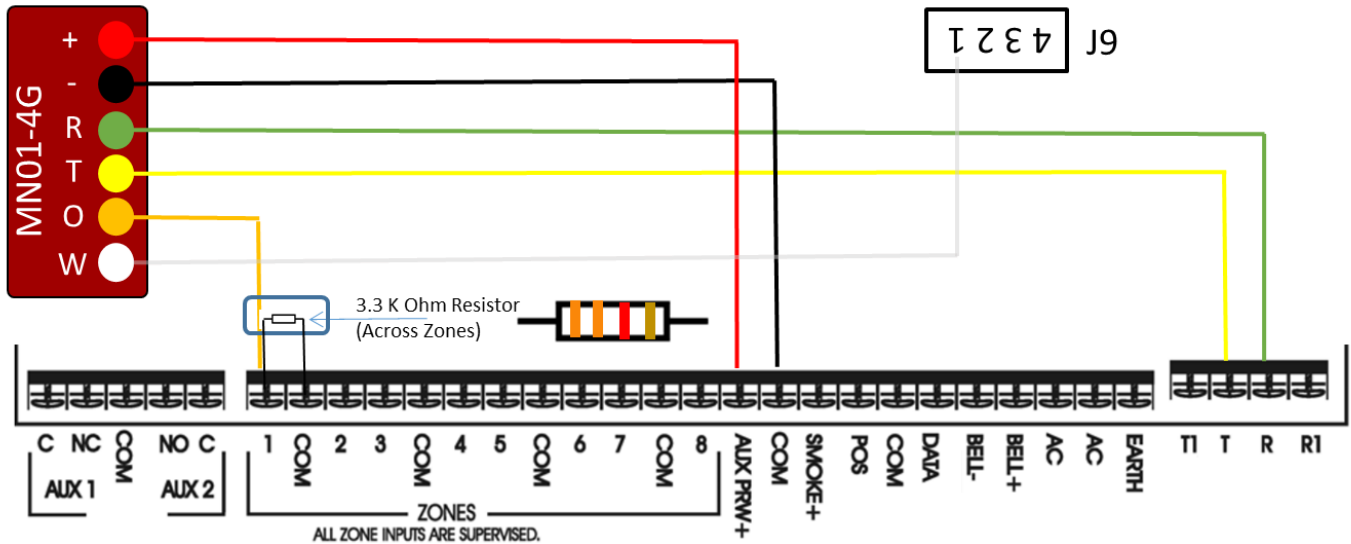
Interlogix NX-8E

Wiring the MN01-4G Cellular Communicator and Programming the Panel

CAUTION:

- It is advised that an experienced alarm installer programs the panel as further programming may be required to ensure proper performance and use of the full functionality.
- Do not route any wiring over circuit board.
- Full panel testing, and signal confirmation, must be completed by the installer.

Wiring the MN01-4G to the Alarm Panel



NEW FEATURE: For MiNi01-4G-V2, the status of the panel can be retrieved not only from the status PGM but now also from the Open/Close reports from the dialer. Therefore, wiring the white wire and programming of the status PGM of the panel is optional.

Wiring the white wire is necessary only if the Open/Close reporting is disabled.

IMPORTANT NOTE: The Open/Close reporting needs to be enabled during the initial pairing procedure.

Programming the Interlogix NX-8E Alarm Panel via the Keypad

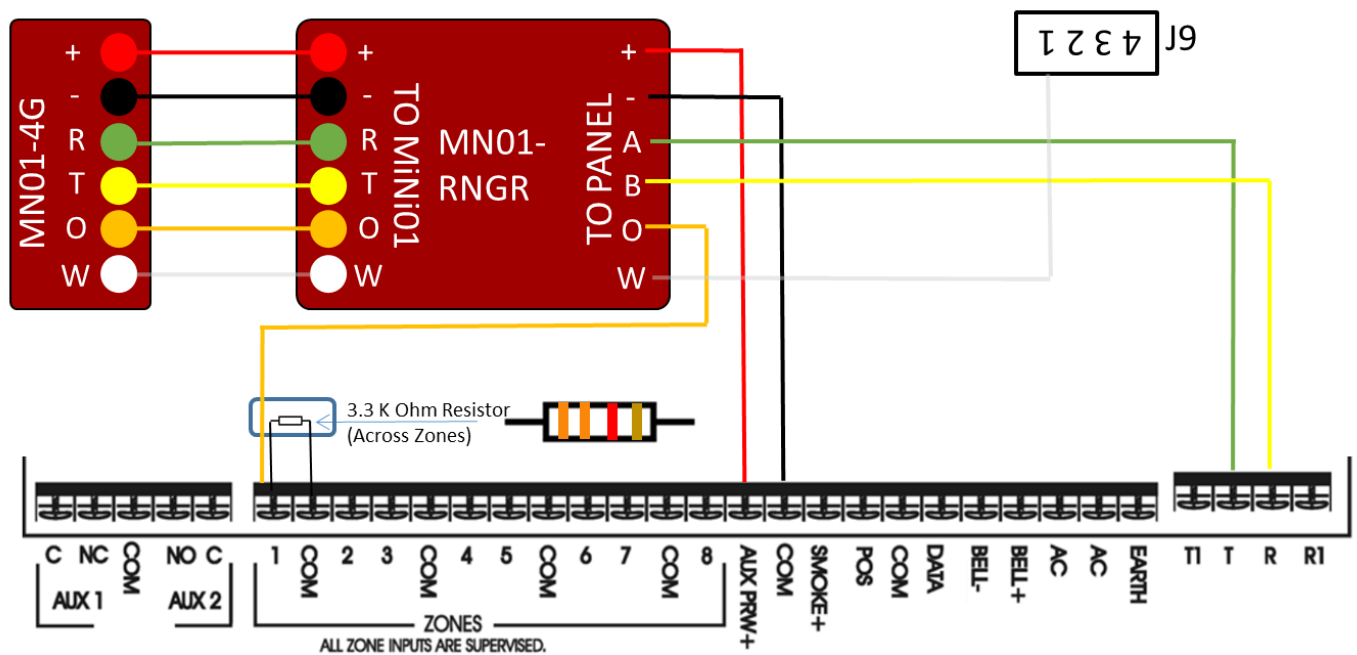
Enable Contact ID reporting:

Display	Keypad Entry	Action Description
System ready	*89713	Enter programming mode.
Enter device address	00#	To go to edit main menu.
Enter location	0#	To configure Phone 1.
Loc# 0 Seg#1	15*, 1*, 2*, 3*, 4*, 5*, 6*, #	Set value 123456 and DTMF dialing for this number (Seg#1 = 15). Press # to go back (123456 is just an example).
Enter location	1#	To configure Phone 1 account code.
Loc# 1 Seg#1	1*, 2*, 3*, 4*, #	Type the desired account code (1234 is just an example). # to go back.
Enter location	2#	To configure Phone 1 communicator format.
Loc# 2 Seg# 1	13*	Set the value to 13 which corresponds to "Ademco Contact ID". * to save and go back.
Enter location	4#	To go to "Phone 1 events reported" toggle menu.
Loc# 4 Seg# 1	12345678*	All toggle options should be enabled. * to save and go to next menu.
Loc# 4 Seg# 2	12345678*	All toggle options should be enabled. * to save and go back.
Enter location	5#	To go to "Phone 1 partitions reported" toggle menu.
Loc# 5 Seg# 1	1*	Enable option 1 to enable report events from partition 1 to phone number 1. * to save and go back.
Enter location	23#	To go to "Partition features" menu.
Loc# 23 Seg# 1	*, *, 1, *, #	Press * twice to go to section 3 toggle options menu. Enable option 1 (to enable "Open/Close reporting"), press * to save and then # to go back to the main menu.
Enter location	Exit, Exit	Press "Exit" twice to exit programming mode.

Program Keyswitch zone and output:

Display	Keypad Entry	Action Description
System ready	*89713	Enter programming mode
Enter device address	00#	To go to edit main menu
Enter location	25#	To go to "Zone 1-8 zone type" menu
Loc# 25 Seg# 1	11, *, #	To configure Zone1 type as keyswitch, * to save and go to the next section, # to go back to the main menu.
Enter location	45 #	To go to "Auxiliary output 1 to 4 partition selection" toggle menu.
Loc# 45 Seg# 1	1, *, #	Enable option 1 to assign events from partition 1 to impact output 1. Press * to save and go to next section, then # to go back to the main menu.
Enter location	47#	To go to "Auxiliary output 1 event and times" menu.
Loc# 47 Seg# 1	21*	Enter 21 to assign "Armed status" event to PGM 1. Press * to save and go to the next section.
Loc# 47 Seg# 2	0*	Enter 0 to set the output to follow the event (without delay). Press * to save and go back to the main menu.
Enter location	Exit, Exit	Press "Exit" twice to exit programming mode.

Wiring the MN01-4G and the MN01-RNGR to the Alarm Panel for remote Upload/Download



Programming the GE Interlogix NX-8E Alarm Panel via the Keypad for remote Upload/Download

Program the Panel for Upload/Download:

Display	Keypad Entry	Action Description
System ready	*89713	Enter programming mode
Enter device address	00#	To go to main edit menu
Enter location	19#	Start configuring "Download Access Code". By default, it is "84800000".
Loc#19 Seg#	8, 4, 8, 0, 0, 0, 0, 0, #	Set download access code to its default value. Press # to save and go back. IMPORTANT - This code should match the one set in the "DL900" software.
Enter location	20#	To go to "Number of rings to answer" menu
Loc#20 Seg#	1#	Set number of rings to answer to 1. Press # to save and go back.
Enter location	21#	Go to "Download control" toggle menu
Loc#21 Seg#	1, 2, 3, 8, #	All of these (1,2,3,8) should be OFF in order to disable "AMD" and "Call back"
Enter location	Exit, Exit	Press "Exit" twice to exit programming mode.