

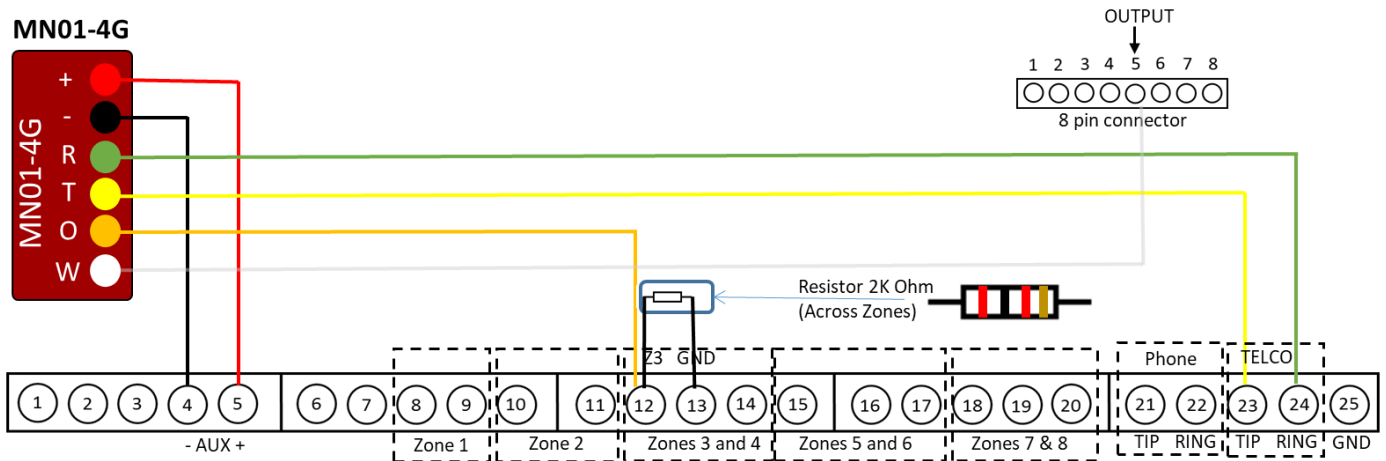
Honeywell Vista 21IP

Wiring the MN01-4G Cellular Communicator and Programming the Panel

CAUTION:

- It is advised that an experienced alarm installer programs the panel as further programming may be required to ensure proper performance and use of the full functionality.
- Do not route any wiring over circuit board.
- Full panel testing, and signal confirmation, must be completed by the installer.

Wiring the MN01-4G to the Alarm Panel



NOTE: We recommend connecting the Output (Orange wire) of the MiNi01-4G device to Zone 3 (terminal 12), because the first two zones maintain constant voltage level of +12V, which may damage the output of the MiNi01-4G device.

NEW FEATURE: For MiNi01-4G-V2, the status of the panel can be retrieved not only from the status PGM but now also from the Open/Close reports from the dialer. Therefore, wiring the white wire and programming of the status PGM of the panel is optional.

Wiring the white wire is necessary only if the Open/Close reporting is disabled.

IMPORTANT NOTE: The Open/Close reporting needs to be enabled during the initial pairing procedure.

Programming the Honeywell Vista 21IP Alarm Panel via the Keypad

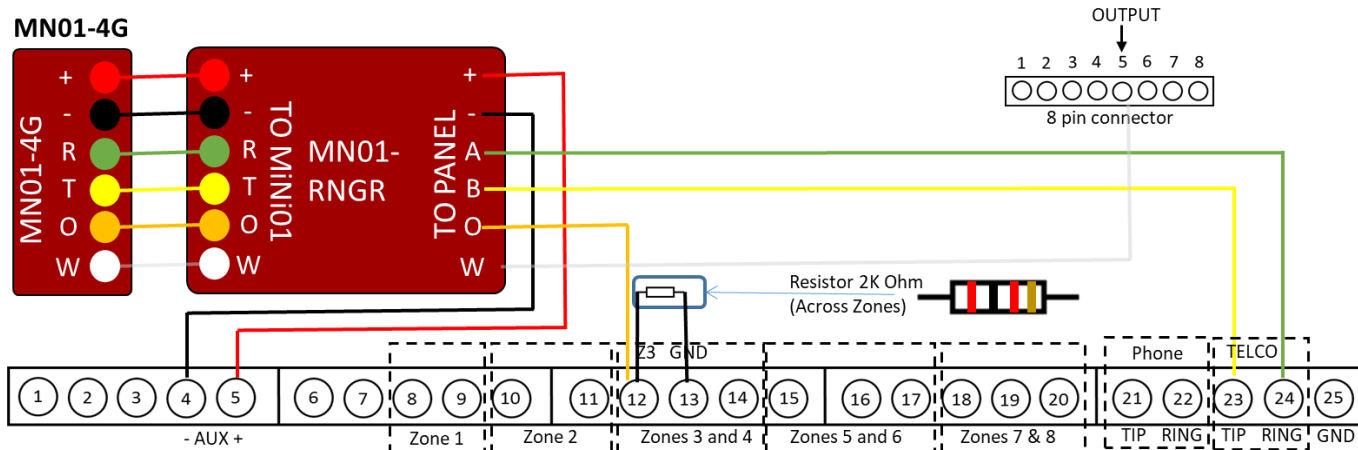
Enable Contact ID reporting:

Keypad Display	Keypad Entry	Action Description
Disarmed	4112,8,00	To enter the programming menu
Installer code 20	*41	To go to primary phone setting
Pri. Phone	123456*	Enter phone number (123456 is an example) * to save
Sec. Phone	*43	To go to primary account number
SubID. Pri.	1234*	Enter account number (1234 is an example) * to save
SubID. Sec.	*47	To go to phone system menu
Phone Sys.	1	Press 1 to select tone dialing
Rep Form Pri/Sec	*48	To go to reporting format
Rep Form Pri/Sec	77	To choose Ademco Contact ID reporting
Split / Dual	*65	To go to Open Report code
Open Rpt.	111	To enable Open report code for Partition 1, 2 and in general
Awy/Sty Rpt.	*66	To go to ARM Away/Stay reporting code
Awy/Sty Rpt.	111111	To enable Away/Stay ARM reporting code for Partition 1,2 and in general
RF LB Rpt.	*70	To go to Alarm/Restore reporting code
Alm Res Rpt	1	To enable alarm/Restore reporting code
Trb Res Rpt	*84, 3	To set Auto-Stay Arm for both Partitions
	*99	To exit and save

Program keyswitch zone and status output:

Keypad Display	Keypad Entry	Action Description
Disarmed	4112,8,00	To enter the programming menu
Installer code	*56	To go to zone programming menu
Set to confirm	1	To enter the menu
Enter Zn. Num.	03*	To enter zone 3 programming
Zn ZT PRC HW:RT	*	To enter the first parameter input section
03 Zone Type	77*	To select keyswitch
03 Report Code	0000*	To disable reporting code for zone activation
03 Resp. Time	1*	To set response time to 1 second
Zn ZT PRC HW:RT	*	To confirm settings and go to next menu
Program Alpha?	0	To go to next menu
Enter Zn. Num.	00	To quit
Enter * or #	*80	To go to output programming menu
Output Funct. #	01*	To set Output 1
01 AEP Trig	*	To go to next menu
01 Activated by	2*	To select Activate by Zone Type
01 Enter Zone Type	78*	To choose Keyswitch RED (Armed)
Partition No.	1	To assign Output 1 to Partition 1
Enter Output No.	18*	To select output 18 (pin 5 on the 8 pin connector as shown on the 1 st page)
01 AEP Trig	*	To save settings
Output Funct. #	00	To quit
Enter * or #	*99	To save and quit

Wiring the MN01-4G and the MN01-RNGR to the Alarm Panel for remote Upload/Download



Programming the Honeywell Vista 20IP Alarm Panel via the Keypad for remote Upload/Download

Program the Panel for UDL

Display	Keypad Entry	Action Description
Disarmed	4112,8,00	To enter the programming menu
Installer code	*95, 1	To set "Number of rings to answer" to 1
Pager 1 Phn No.	*99	To save and quit

NOTE:

If the software says that the CSID doesn't match, *96 while in programming mode initializes CSID and account number (assigns them their default values).