

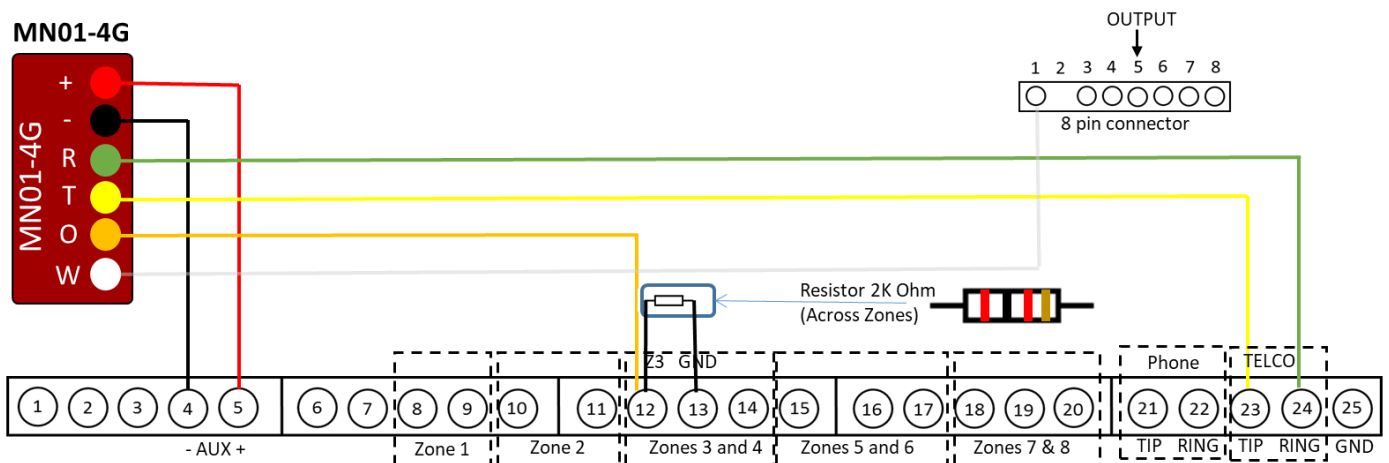
Honeywell Vista 20PSIA

Wiring the MN01-4G Cellular Communicator and Programming the Panel

CAUTION:

- It is advised that an experienced alarm installer programs the panel as further programming may be required to ensure proper performance and use of the full functionality.
- Do not route any wiring over circuit board.
- Full panel testing, and signal confirmation, must be completed by the installer.

Wiring the MN01-4G to the Alarm Panel



NOTE: We recommend connecting the Output (Orange wire) of the MiNi01-4G device to Zone 3 (terminal 12), because the first two zones maintain constant voltage level of +12V, which may damage the output of the MiNi01-4G device.

NEW FEATURE: For MiNi01-4G-V2, the status of the panel can be retrieved not only from the status PGM but now also from the Open/Close reports from the dialer. Therefore, wiring the white wire and programming of the status PGM of the panel is optional.

Wiring the white wire is necessary only if the Open/Close reporting is disabled.

IMPORTANT NOTE: The Open/Close reporting needs to be enabled during the initial pairing procedure.

Programming the Honeywell Vista 20PSIA Alarm Panel via the Keypad

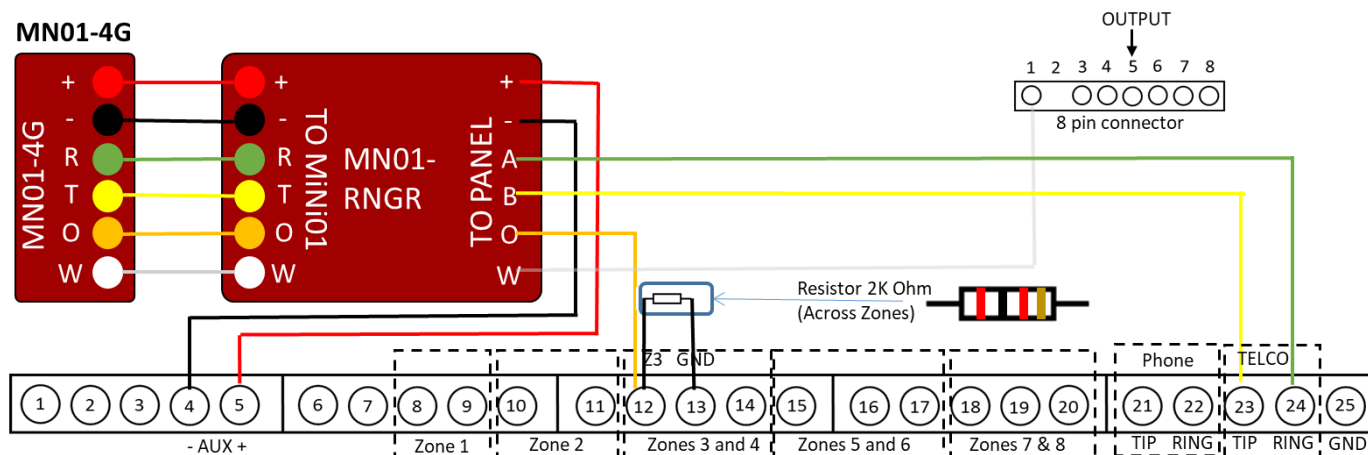
Enable Contact ID reporting:

Keypad Display	Keypad Entry	Action Description
DISARMED	4112800	To enter programming menu
Installer Code	*41	To start configuring primary phone number
Pri. Phone	123456*	Enter phone number value and press * to save and go back
Sec. Phone	*43	To start configuring "Part. 1 Primary Subs. Acct. No."
Part 1 SubId Pri	1234*	Enter account number value and press * to save and go back
Part 1 SubId Sec	*47	To enter "Phone system select" menu
Phone Sys	1*	To select "Tone Dial" and go back
Field?	*48	To enter "Report format" menu
Rep Form Pri/Sec	7*	To select "Ademco Contact ID" for primary phone number
Field?	*65	To go to "Open report code" setup
Open Rpt 1 2 3	1*	To enable reporting for "Open" event
Field?	*66	To go to "Arm Away/Stay Report Code" menu
Awy/Sty Rp 1 2 3	1, 1*	To enable reporting for "Away/Stay" events
Field?	*92	To go to "TLM" menu
Telco Monitor	0*	To disable TLM and save
Field?	*99	To exit programming mode

Program keyswitch zone and status output:

Keypad Display	Keypad Entry	Action Description
Disarmed	4112800	To enter programming menu
Installer Code	*56	To enter "Zone programming"
Set to confirm	1	To confirm you want to enter "Zone programming"
Enter zone No.	03**	To start configuring zone #3
Zone Type	77*	To set zone type to "Keyswitch"
Partition	1*	To assign zone to partition 1
Report code	01*	To enable reporting for zone #3
Hardwire Type	0*	To enable supervision of the zone (with 2k ohm EOL resistor)
Resp Time	1*	To set zone response time to 0.35s
Zn ZT P RC HW:RT	* 000	To exit zone programming
Press * or #	*80	To enter output programming
Output Funct #	17**	To start configuring function 17
Activated By:	2*	To select zone type for the activation event
Enter Zn Type	78*	To select Keyswitch red as behavior for the function
Partition	1*	To assign function to partition 1
Enter Output No.	17**	To assign function to pin #1 from the 8-pin connector
Output Funct.	00 *99	To exit programming mode

Wiring the MN01-4G and the MN01-RNGR to the Alarm Panel for remote Upload/Download



Programming the Honeywell Vista 20PSIA Alarm Panel via the Keypad for remote Upload/Download

Program the Panel for UDL

Display	Keypad Entry	Action description
Disarmed	4112,8,00	To enter the programming menu
Installer code	*95, 1	To set "Number of rings to answer" to 1
Pager 1 Phn No.	*99	To save and quit

NOTE:

If the software says that the CSID doesn't match, *96 while in programming mode initializes CSID and account number (assigns them their default values).