

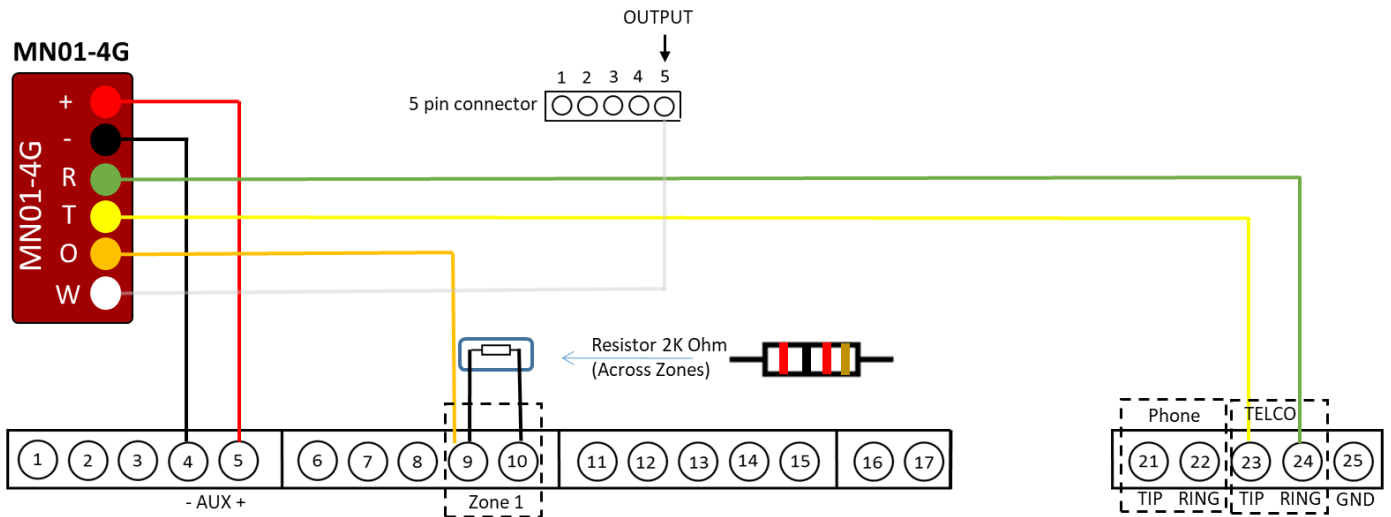
Honeywell Vista 10PSIA

Wiring the MN01-4G Cellular Communicator and Programming the Panel

CAUTION:

- It is advised that an experienced alarm installer programs the panel as further programming may be required to ensure proper performance and use of the full functionality.
- Do not route any wiring over circuit board.
- Full panel testing, and signal confirmation, must be completed by the installer.

Wiring the MN01-4G to the Alarm Panel



NEW FEATURE: For MiNi01-4G-V2, the status of the panel can be retrieved not only from the status PGM but now also from the Open/Close reports from the dialer. Therefore, wiring the white wire and programming of the status PGM of the panel is optional.

Wiring the white wire is necessary only if the Open/Close reporting is disabled.

IMPORTANT NOTE: The Open/Close reporting needs to be enabled during the initial pairing procedure.

Programming the Honeywell Vista 10PSIA Alarm Panel via the Keypad

Enable Contact ID reporting:

Keypad Display	Keypad Entry	Action Description
Disarmed	4112,8,00	To enter the programming menu.
Installer code 20	*41	To go to primary phone setting.
Pri. Phone	123456*	Enter phone number (123456 is an example) * to save.
Sec. Phone	*43	To go to primary account number.
SubID. Pri.	1234*	Enter account number (1234 is an example) * to save.
SubID. Sec.	*47	To go to phone system menu.
Phone Sys.	1	Press 1 to select tone dialing.
Rep Form Pri/Sec	77	To choose Ademco Contact ID reporting.
Split / Dual	0	To choose All Reports go only to the primary number.
Burg Dial Dly	*65	To go to Open Report code.
Open Rpt.	1	To enable Open report code.
Away/Sty Rpt.	11	To enable Away/Stay ARM reporting code.
RF LB Rpt.	*69	To go to Recent Close reports.
Recent Close Rpt.	11	To enable Recent Close reporting.
Alm Res Rpt	1	To enable alarm/Restore reporting code.
Trb Res Rpt	*84, 1	To set Auto-Stay Arm for Partition 1.
Cross Zn Timer	*99	To exit and save.

Program keyswitch zone and status output:

Keypad Display	Keypad Entry	Action Description
Disarmed	4112,8,00	To enter the programming menu.
Installer code	*56	To go to zone programming menu.
Set to confirm	1	To enter the menu.
Enter Zn. Num.	01*	To enter zone 1 programming.
Zn ZT PRC HW:RT	*	To enter the first parameter input section.
01 Zone Type	77*	To select keyswitch.
01 Report Code	0000*	To disable reporting code for zone activation.
01 Hardwire Type	0*	To choose EOL resistor HW Type.
01 Resp. Time	1*	To set response time to 1 second.
Zn ZT PRC HW:RT	*	To confirm settings and go to next menu.
Program Alpha?	0	To go to next menu.
Enter Zn. Num.	00	To quit.
Enter * or #	*80	To go to output programming menu.
Output Funct. #	01*	To set Output 1.
01 AEP Trig	*	To go to next menu.
01 Activated by	2*	To select Activate by Zone Type.
01 Enter Zone Type	78*	To choose Keyswitch RED (Armed).
Enter Output No.	18*	To select output 18 (pin 5 on the 5 pin connector as shown on the 1 st page).
01 AEP Trig	*	To save settings.
Output Funct. #	00	To quit.
Enter * or #	*99	To save and quit.