

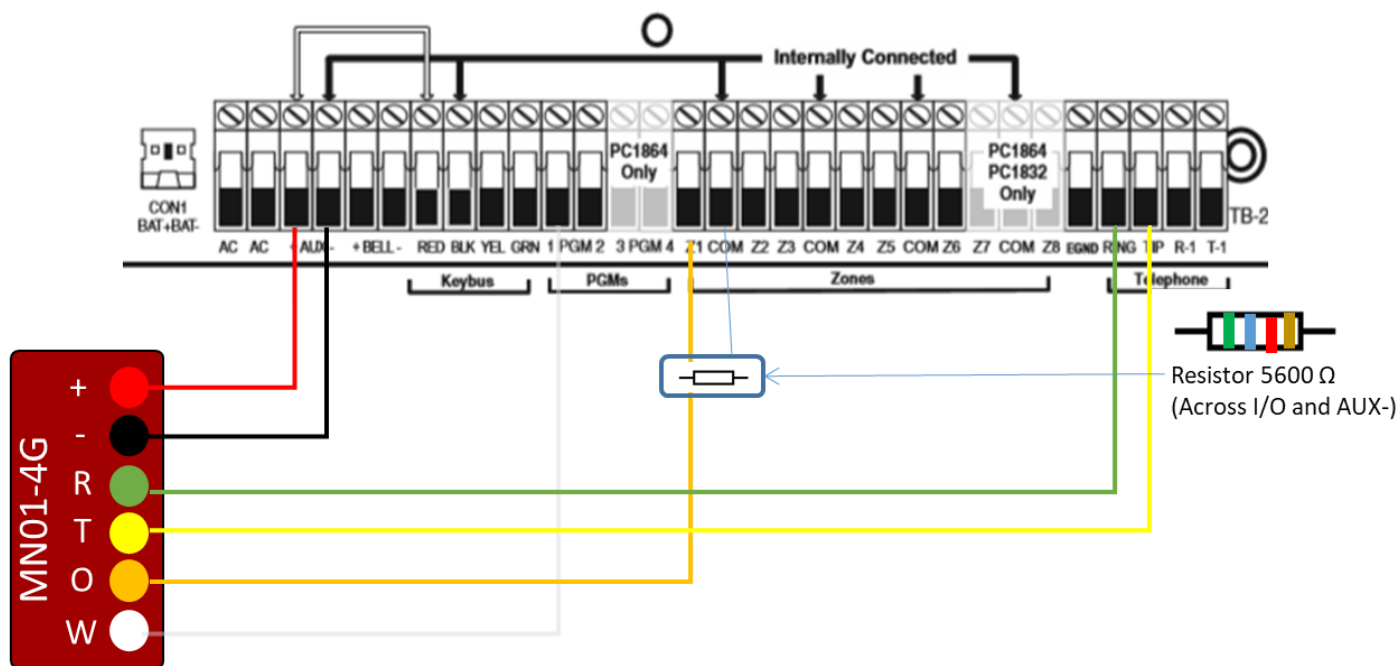
DSC NEO Power Series (HS2016/2032/2064/2128)

Wiring the MN01-4G Cellular Communicator and Programming the Panel

CAUTION:

- It is advised that an experienced alarm installer programs the panel as further programming may be required to ensure proper performance and use of the full functionality.
- Do not route any wiring over circuit board.
- Full panel testing, and signal confirmation, must be completed by the installer.

Wiring the MN01-4G to the Alarm Panel



NEW FEATURE: For MiNi01-4G-V2, the status of the panel can be retrieved not only from the status PGM but now also from the Open/Close reports from the dialer. Therefore, wiring the white wire and programming of the status PGM of the panel is optional.

Wiring the white wire is necessary only if the Open/Close reporting is disabled.

IMPORTANT NOTE: The Open/Close reporting needs to be enabled during the initial pairing procedure.

Programming the DSC NEO Power Series Alarm Panels via the Keypad

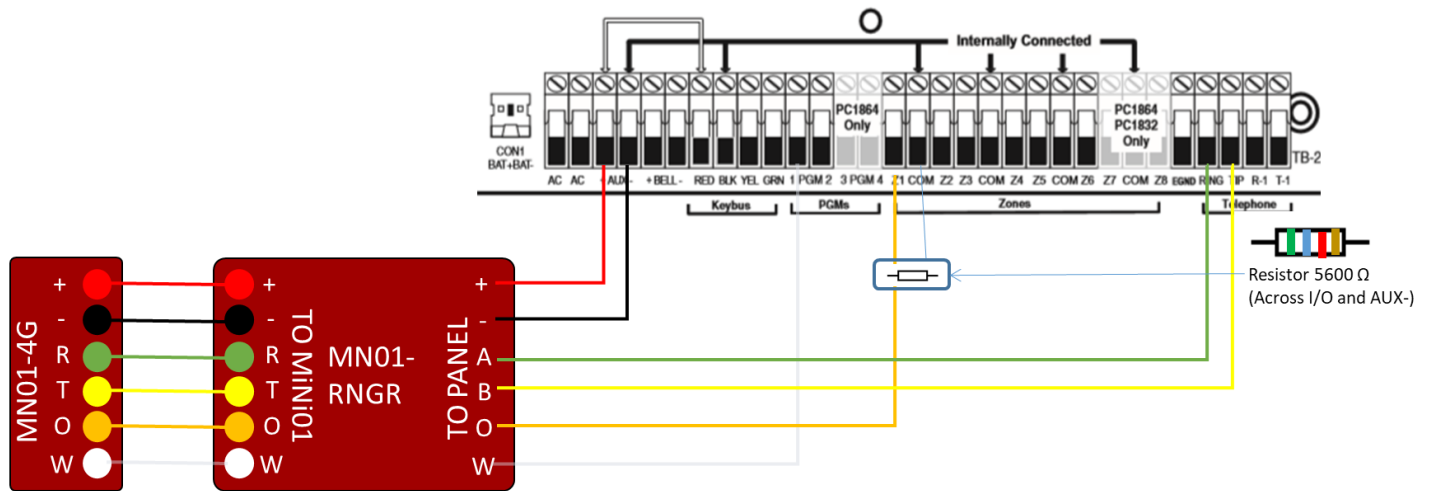
Enable Contact ID reporting:

Keypad Display	Keypad Entry	Action description
Select:	*85555	To enter in Programming mode
Select:	301	To enter menu "First phone number"
Select: 001	001	To select first phone number
DFFFFFF	123456*6*#	Enter actual or non-existing number (any number will do, 123456 is an example) followed by *6* (F in hex).
Select:	383	Enter Communication Options 4.
Comm. Option 4:	2#	Toggle 2 to OFF, to set the programmable account code in 310 to 4 digits.
Select:	310	To enter menu "System account code".
System Account:	000	To enter submenu for the whole system (001, 002... for more partitions)
System Account:	1234	Enter 4-digit account number for CMS identification (1234 is an example)
System Account:	001	To enter submenu for Partition 1
Part.1 Account:	1234#	Enter 4-digit account number for CMS identification (1234 is an example)
Select:	311	To enter menu "Reporting".
Select:	001	Go to "Alarm restore" options.
Toggle receiver#1	*#	Press * to select "Y" (yes) – "Alarm/Restore" events are reported to telephone number 1
Tamper restore:	002	To go to "Tamper/Tamper restore".
Toggle receiver#1	*#	Press * to select "Y" (yes) – "Tamper/Tamper restore" events are reported to telephone number 1.
Opening/Closing	003	Go to "Open/Close" events.
	*##	Press * to select "Y" (yes) – "Open/Close" events are reported to telephone number 1, # to save, # to exit to main menu
Select:	350	To enter "Communicator Alarm Format" options.
Enter Data:	001	To select phone number 1
Enter Data:	03#	03 is for Contact ID.
Select:	380	Enter First Communication Options
Comms. Enabled:	1##	Toggle 1 to ON, 3 and 4 must be off (DTMF touch-tone dialing, DTMF dialing for all attempts).

Program Keyswitch zone and output:

Keypad Display	Keypad Entry	Action Description
Select:	*85555	To enter in Programming mode.
Select:	001	Enter zone definition menu.
Zone definitions	*	Enter Zone 1 definition.
Zone 1	066	To choose Momentary Keyswitch for Zone 1.
Momentary KSW	##	To exit to main menu.
Select:	013	Enter First System Options (to configure Normally Closed Zones).
Toggle 1	*	Press * or toggle buttons <> until 1 is ON (all zones are wired as normally closed circuits with returns to COM terminal).
Toggle Option 1	##	Press ## to exit to main menu.
Select:	009	Enter I/O Programming menu.
PGM 1	001	To enter PGM 1 subsection.
PGM 1	115	To program the output to report Armed/Disarmed status.
PGM 1	##	Press ## to exit to main menu.

Wiring the MN01-4G and the MN01-RNGR to the Alarm Panel for remote Upload/Download



Programming the DSC NEO Power Series Alarm Panels via the Keypad for remote Upload/Download

Program the Panel for UDL:

Display	Keypad Entry	Action Description
Date / Time	*8 + Inst. Code	Enter programming menu. Default installer code is "5555"
Enter section	401	First downloading options toggle menu
Toggle option	1,3,6	1 and 3 should be disabled. 6 should be enabled. Press # to exit
Enter section	403	DLS downloading access code. Default for NEO is "203200"
Enter Hex Data	203200	Set this field's value to it's default. Press # to exit
Enter section	404	Panel ID code. Default for NEO is "2032000000".
Enter Hex Data	2032000000	Set this field's value to it's default. Press # to exit
Enter section	405	Double call timer address
Enter Data	000	Disable double call
Enter section	406	Number of rings address
Enter Data	001	Set the panel to answer on the first ring.