

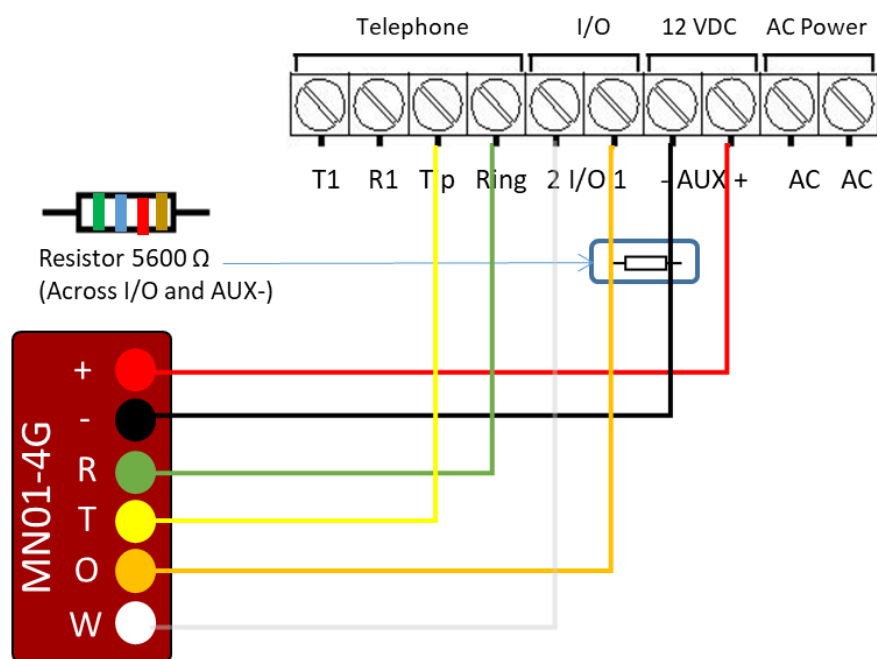
DSC Alexor

Wiring the MN01-4G Cellular Communicator and Programming the Panel

CAUTION:

- It is advised that an experienced alarm installer programs the panel as further programming may be required to ensure proper performance and use of the full functionality.
- Do not route any wiring over circuit board.
- Full panel testing, and signal confirmation, must be completed by the installer.

Wiring the MN01-4G to the Alarm Panel



NEW FEATURE: For MiNi01-4G-V2, the status of the panel can be retrieved not only from the status PGM but now also from the Open/Close reports from the dialer. Therefore, wiring the white wire and programming of the status PGM of the panel is optional.

Wiring the white wire is necessary only if the Open/Close reporting is disabled.

IMPORTANT NOTE: The Open/Close reporting needs to be enabled during the initial pairing procedure.

Programming the DSC Alexor Alarm Panel via the Keypad

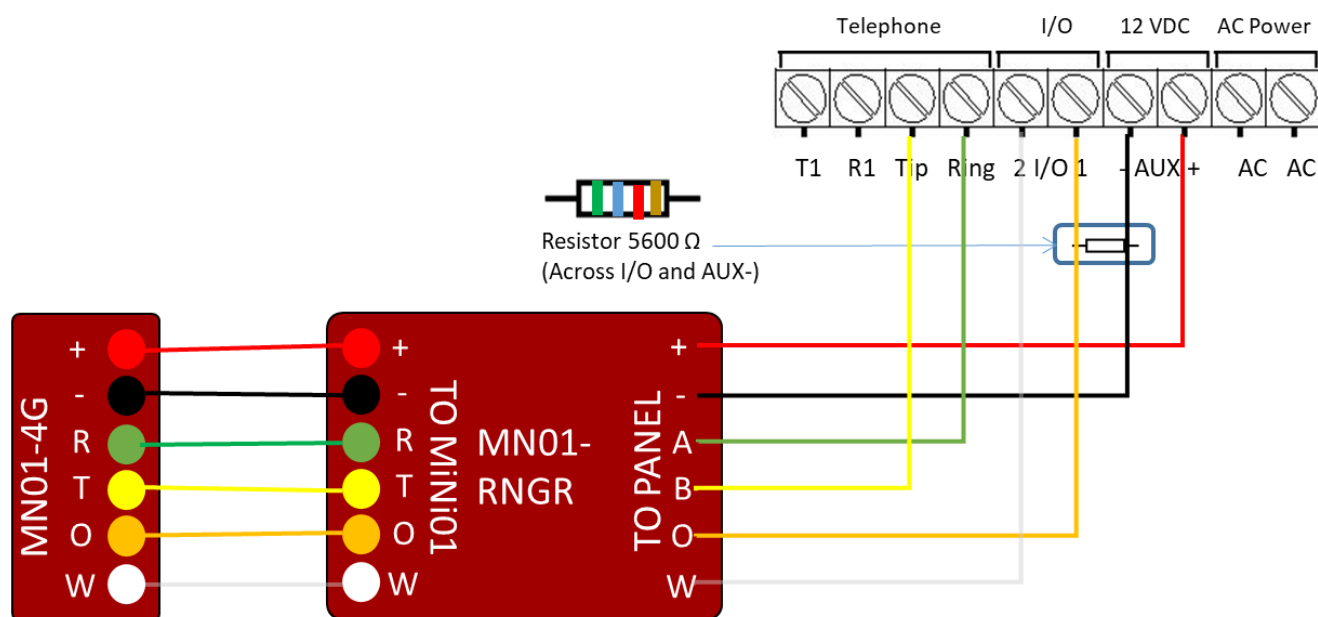
Enable Contact ID reporting:

| Keypad Display | Keypad Entry | Action description |
|----------------|--------------|--|
| Enter Section: | *85555 | To enter in Programming mode. |
| Enter Section: | 015 | To enter menu "Third System options". |
| Toggle Option: | 7# | Option 7 must be OFF (TLM disabled). |
| Enter Section: | 301 | To enter menu" First phone number". |
| DFFFFF | 123456*6*# | Enter actual or non-existing number (any number will do, 123456 is an example) followed by *6* (F in hex). |
| Enter Section: | 310 | To enter menu "System account code". |
| Enter data: | 1234*66 | Enter 4-digit account number to receive the events from (1234 is an example) and close it with *66 in hex. |
| Enter Section: | 350 | To enter "Communicator Alarm Format" options. |
| Enter Data: | 03030303 | 03 is for Contact ID (03030303 is to set all 4 phone lines). |
| Enter Section: | 351 | To program phone 1 communicator call direction. |
| Toggle Option: | 1# | Toggle 1 to ON for alarms (it has to appear on screen). |
| Enter Section: | 367 | Open/Close Communicator Cell directions. |
| Toggle Option: | 1# | Toggle 1 to ON to enable Open/Close reports (it has to appear on screen). |
| Enter Section: | 380 | Enter First Communication Options. |
| Toggle Option: | 1# | Toggle 1 to ON, 3 to off to enable communications. |
| Enter Section: | 381 | Enter Second Communication Options. |
| Toggle Option: | 7# | Toggle 7 to OFF to enable automatic reporting. To manually program the reporting codes in the menu 381, enable option 7 to ON and then set the desired reporting codes in menus 320 to 348. |
| | # | Exit Programming mode. |

Program Key-switch zone and output:

| Keypad Display | Keypad Entry | Action Description |
|----------------|--------------|--|
| Enter Section: | *85555 | To enter in Programming mode. |
| Enter Section | 206 | Enter Zone Assignment |
| Toggle Option | 1# | Toggle option 1 to ON to enable the Keyswitch zone. |
| Enter Section | 013 | Enter First System Options (to select I/O as Input or PGM). |
| Toggle Option | 1# | When panel is defaulted press the toggle buttons until 1 is ON and 2 is OFF. |
| Enter Section | 133 | Enter I/O 1 Programming. |
| Toggle Option | 9 | Press 9 to move to option 9-16. |
| Toggle Option | 7# | Make sure that option 15 is selected (shows as 7). This standard mode of operations REQUIRES a resistor across the STC. |
| Enter Section: | 009 | Enter I/O Programming. |
| Enter Data: XX | 22 | Enter 22 to program zone Type Keyswitch for I/O 1. |
| Enter Data: XX | 05 | Enter 05 to program Armed Status on I/O 2. |
| | # | Exit Programming mode. |

Wiring the MN01-4G and the MN01-RNGR to the Alarm Panel for remote Upload/Download



Programming the DSC Alexor Power Series Alarm Panels via the Keypad for remote Upload/Download

Program the Panel for UDL:

| Display | Keypad Entry | Action Description |
|----------------|-----------------|---|
| Date / Time | *8 + Inst. Code | Enter programming menu. Default installer code is "5555". |
| Enter section | 401 | First downloading options toggle menu |
| Toggle option | 1,3,6# | 1 and 3 should be disabled. 6 should be enabled. Press # to exit. |
| Enter section | 403 | DLS downloading access code. |
| Enter Hex Data | 915500# | Set this field's value to its default. Press # to exit. |
| Enter section | 404 | Panel ID code. |
| Enter Hex Data | 915500# | Set this field's value to its default. Press # to exit. |
| Enter section | 405 | Double call timer address |
| Enter Data | 000# | Disable double call. |
| Enter section | 406 | Number of rings address |
| Enter Data | 001# | Set the panel to answer on the first ring. |