

DMP XT30D/XT50DN

Wiring a M2M's MiNi/MQ Series Cellular Communicators and Programming the Panel

CAUTION:

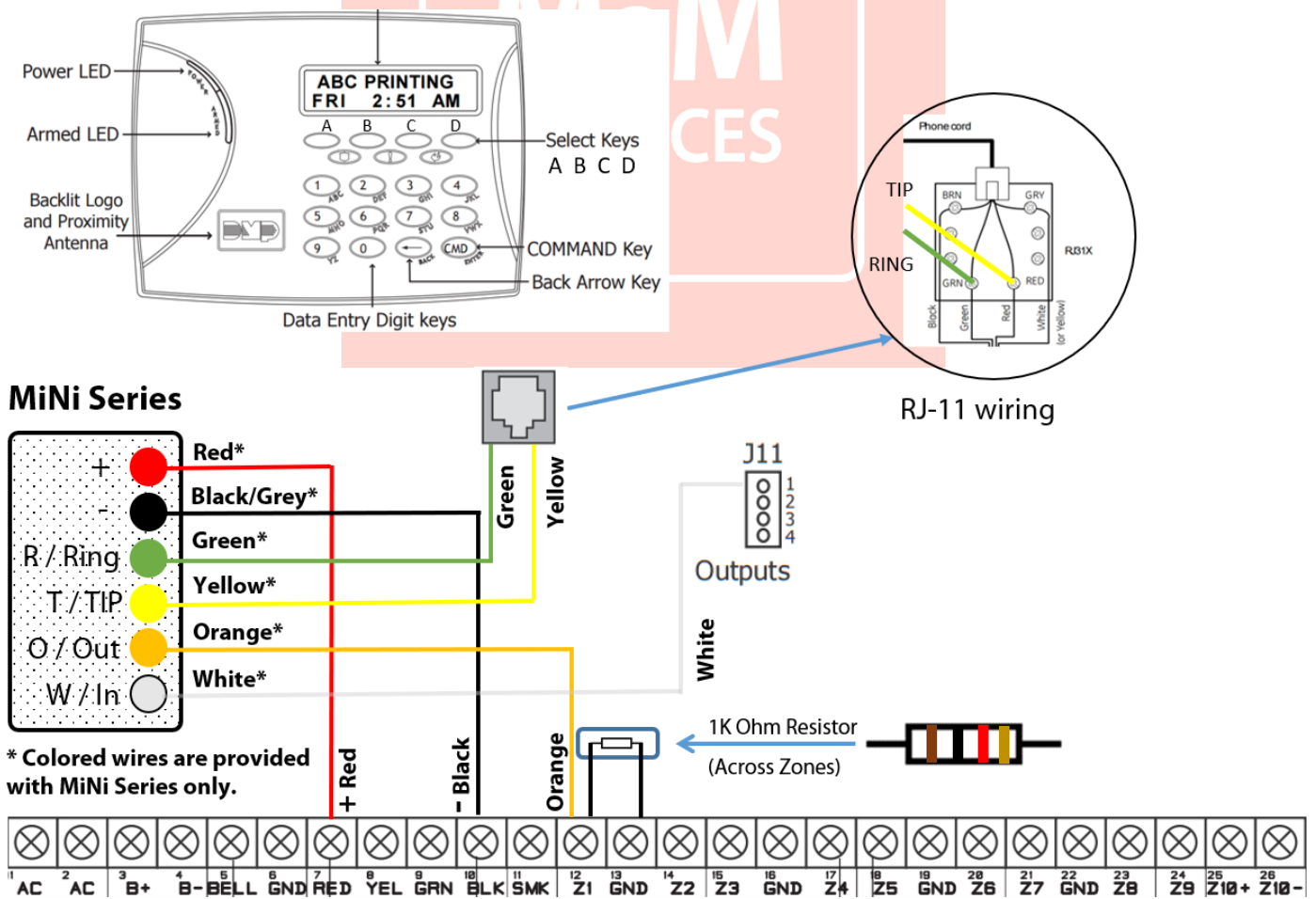
- It is advised that an experienced alarm installer programs the panel as further programming may be required to ensure proper performance and use of the full functionality.
- Do not route any wiring over circuit board.
- Full panel testing, and signal confirmation, must be completed by the installer.

NEW FEATURE: For MiNi/MQ Series Communicators, the status of the panel can be retrieved not only from the status PGM but now also from the Open/Close reports from the dialer. Therefore, wiring the white wire and programming of the status PGM of the panel is optional.

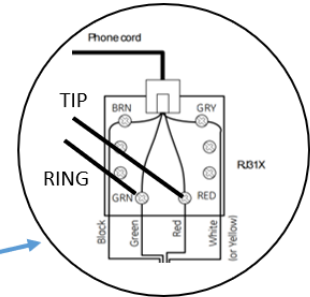
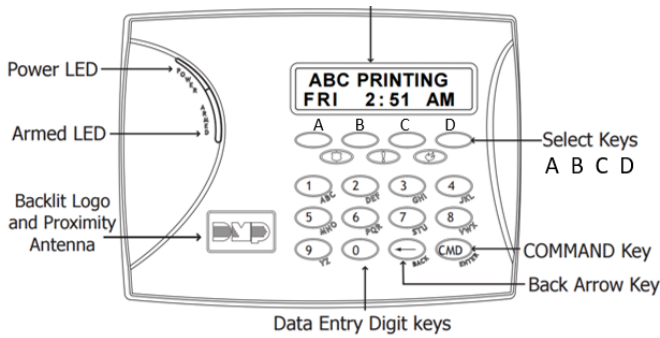
Wiring the white wire is necessary only if the Open/Close reporting is disabled.

IMPORTANT NOTE: The Open/Close reporting needs to be enabled during the initial pairing procedure.

Wiring the MiNi Series communicators to DMP XT30D/XT50DN

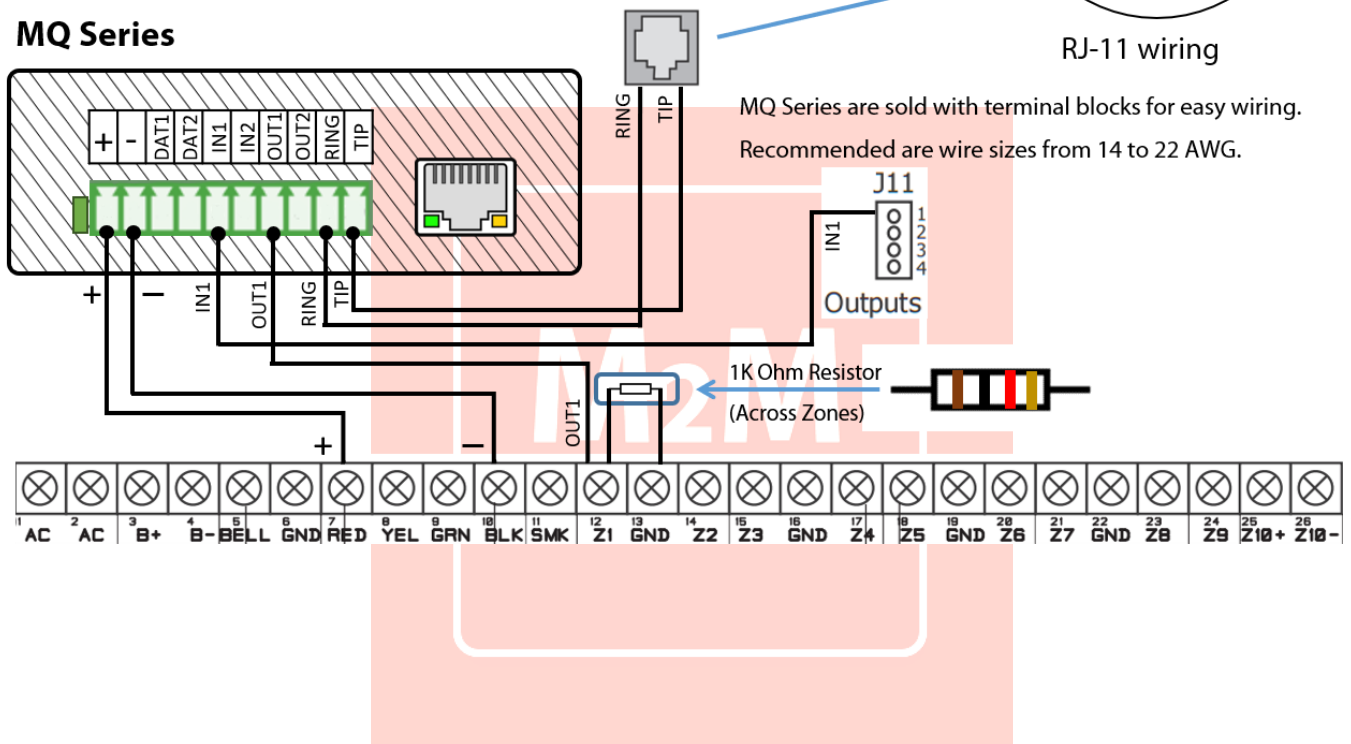


Wiring the MQ Series communicators to DMP XT30D/XT50DN



RJ-11 wiring

MQ Series



Programming the DMP XT30D/XT50DN Alarm Panel via the Keypad

Enable Contact ID reporting:

Keypad Display	Keypad Entry	Action Description
Date & Time	6653	To go to Programmer menu.
Programmer	CMD, CMD, A	To go to Communication menu (A is the top left button as shown above).
Account No	1234	Enter desired account number (1234 is an example).
Account No	CMD, CMD	To go to communication type.
Comm. Type	A, B, CMD	To select Contact ID, CMD to save.
Backup Cell	CMD.....	Press CMD until you reach O/C user.
O/C	D, CMD	To enable user Open/Close reporting, CMD to save.
Communication	CMD.....	Press CMD until you reach First Phone Number.
First Phone No.	CMD, 123456	Press CMD and input 1 st phone number (123456 is an example).
Communication	CMD.....	Press CMD until you reach System Reports.
System Reports	A	To enter the System reports menu.
O/C Reports	D, Back	To enable Open/Close system reporting.
System Reports	CMD.....	Press CMD until you reach Output options.
Output Options	A	To enter Output toggle submenu.
CO outs:	1, CMD	To select Output 1, CMD to start editing settings.
Cutoff time	CMD.....	Press CMD until you reach Armed.
Armed OUT:	1, CMD	To choose output 1 to follow Armed Status.
Output Options	CMD	Press CMD until you reach STOP.
STOP	A	To exit programming mode.

Program Keyswitch zone and output:

Keypad Display	Keypad Entry	Action Description
Date & Time	6653	To go to Programmer menu.
Programmer	CMD.....	Press CMD until you reach Zone Information.
Zone Information	A	To enter Zone Information menu.
Zone No.	1, CMD	To select Zone 1.
Unused	1, CMD	To activate Zone 1.
Zone Information	A	To go to select Zone type menu (types are listed on the 2 nd row).
NT DY EX	CMD....	Press CMD until the second row shows: A1, A2, FV, AR.
A1, A2, FV, AR	D	To select Zone Type => Keyswitch.
Arm areas	A	To see options for areas the keyswitch will be arming.
Home, Sleep, Away	A	To select HOME (as an example) – change this based on your installation.
Style:	A, A	To select Toggle.
Next Zone?	C, CMD, Back	To go back to the main menu.
Zone info	CMD....	Press CMD until you reach STOP.
STOP	A	Press A to exit programming mode.